



Static Transfer Switch

L
T
I

P
O
W
E
R

S
Y
S
T
E
M
S

Standard Features

- Ultra Fast, ¼ cycle transfer between AC sources
- All solid state switching devices (no contactors or relays to fail)
- Selectable manual or automatic transfers
- Industrial design for high reliability
- Break-before-make switching eliminates risk of an out-of-phase transfer between sources
- Preferred input source selector switch
- Integral surge suppression on both input sources
- User friendly status display
- Selectable transfer times for delayed transfer requirements
- Alarm interface form "C" contacts
- Rack or wall mount NEMA 1 enclosure



Single and Dual Pole Models

The LTI static switch will provide virtually uninterruptible power to any critical load by automatically or manually selecting between one of two AC input sources. If the preferred source deviates outside of preset limits the unit will instantaneously transfer to the secondary source. Upon return of the preferred source to within acceptable limits, the static switch will automatically retransfer the load back. This insures that the sensitive load is always being supplied the best available power from two different sources.

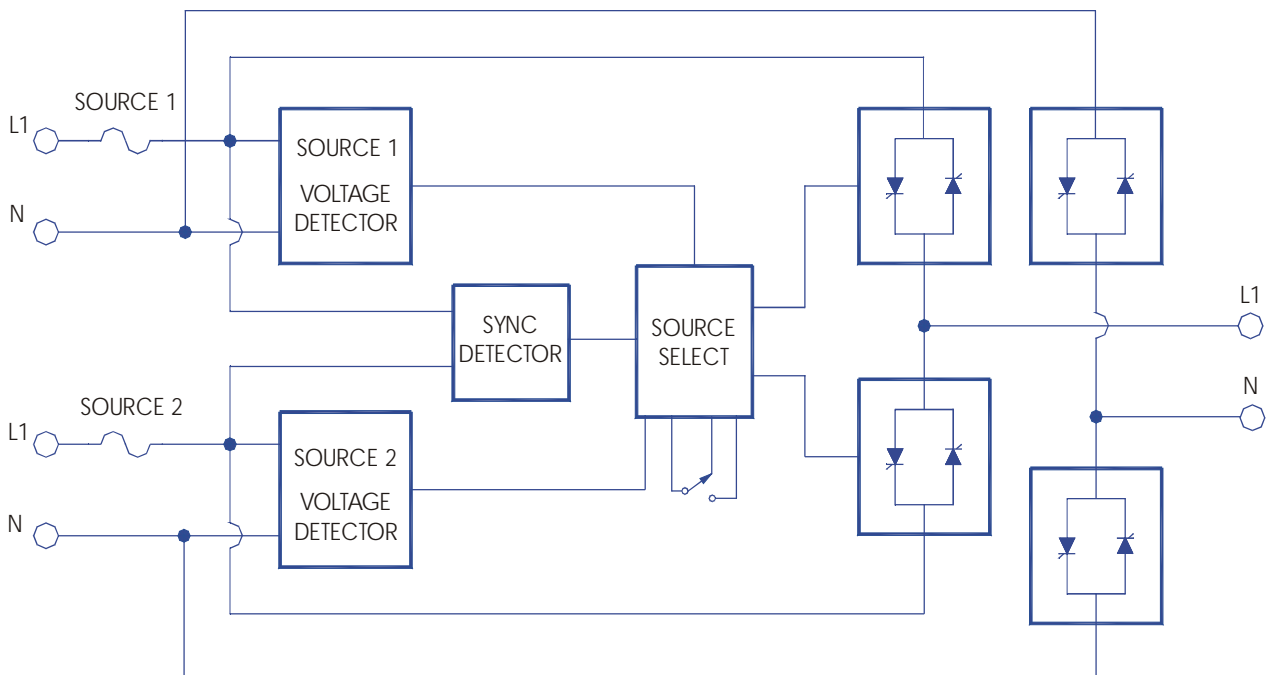
.....

Typical Applications

- Data Processing
- Telecommunications
- Manufacturing Processes
- Distributed Computing

Typical Input Sources

- UPS
- Inverters
- Motor Generators
- Dual Substations
- AC Regulators





LTI Power Systems Static Transfer Switch

ELECTRICAL SPECIFICATIONS

Model	LTSS20	LTSS30	LTSS40	LTSS50
Input Voltage:	120, 127, 208, 220, 240VAC, 50/60Hz			
Continuous Current	20 Amp	30 Amp	40 Amp	50 Amp
Load pf. Range	0.5 to 1.0 leading or lagging			
Load Crest Factor	Up to 4:1			
Input Voltage Distortion	Up to 10% THD with notches and ringing transients			
Overload Capability	125% for 2 hours, 150% for 15 minutes, 1000% for 2 cycles			

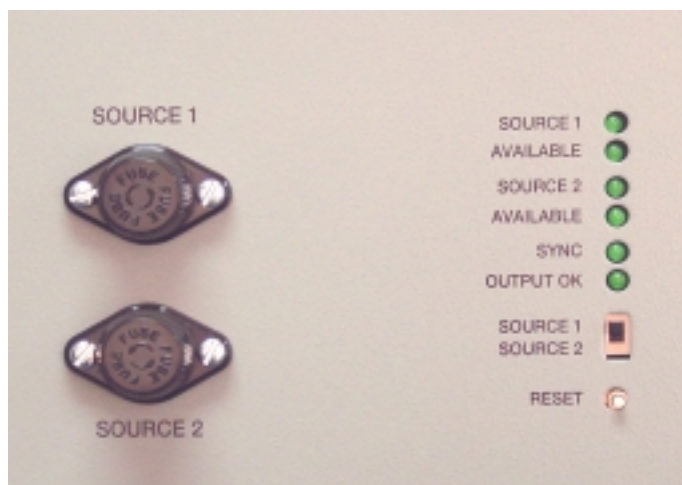
ENVIRONMENTAL SPECIFICATIONS

Storage Temperature	-40°C to +80°C (-40°F to 176°F)
Operating Temperature	0°C to +40°C (32°F to 104°F)
Relative Humidity	0 to 95% without condensation
Operating Altitude	Up to 4000 feet (1200 meters) above sea level without derating
Audible Noise	Less than 55dBA at 5 feet (1.5 meters)

PHYSICAL SPECIFICATIONS

Dimensions	19"W x 13"D x 7"H
Weight	23 lbs. (10.43 kg)
Color	Light Gray

User Friendly Status Display



Robust Switching Devices



LTI Power Systems is a ISO9001-2000 listed manufacturer

LTI Power Systems • 10800 Middle Ave., Bldg. B • Elyria, OH 44035
Phone (440) 327-5050 • FAX (440) 458-8140 • www.ltipowersystems.com