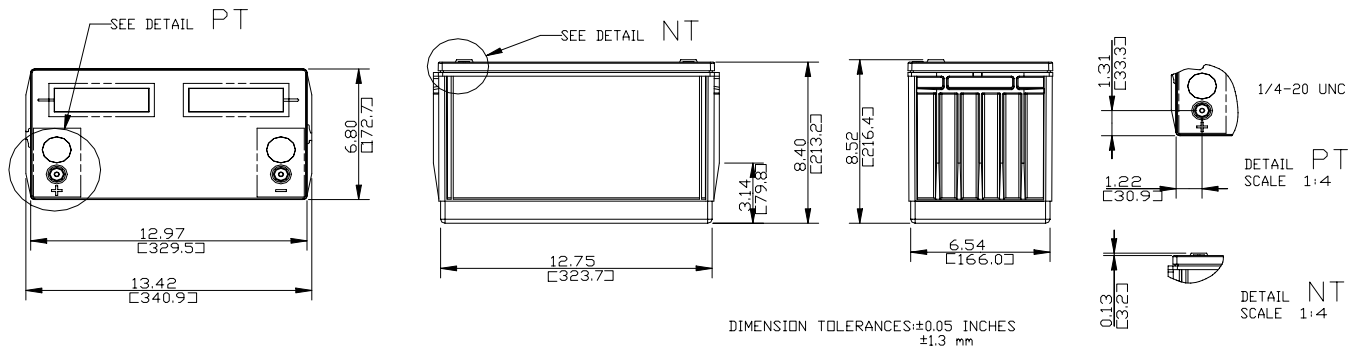


# BATRIC UPS100



## BATRIC – UPS100 - Specifications

\*All dimensions inches and (millimeters). All dimensions are for reference only

Cells Per Unit	Voltage Per Unit	Max. Weight	Electrolyte	Maximum Discharge Current	Short Circuit Current	10 Sec. Volts @100 Amps	Ohms Imped. 60Hz. (Ω)
6	12.84	67 lbs. 30.39 kg.	Gelled H <sub>2</sub> SO <sub>4</sub> SG = 1.300	900 Amps	2500 Amps @ 0.1 Sec.	11.3	0.0050 Ohms

<b>Capacity</b>	93.6 Ah @ 20 hour rate to 1.75 volts per cell @ 77°F (25°C)
<b>Operating Temperature Range</b>	<b>Discharge;</b> - 40°F (- 40°C) to + 160°F (71°C), <b>Charge;</b> - 10°F (- 23°C) to + 140°F (60°C) (with temperature compensation)
<b>Float Charging Voltage</b>	13.5 to 13.8 VDC/unit Average @ 77°F (25°C)
<b>Recommended Maximum Charging Current Limit</b>	C/5 amperes (18.7 amps @ 100% depth of discharge)
<b>Maximum AC Ripple (Charger)</b>	0.5% RMS or 1.5% P-P of float charge voltage recommended for best results Maximum AC ripple voltage allowed = 1.4% RMS (4% P-P) Maximum AC ripple current allowed = 4.6 amperes RMS (C/20)
<b>Self Discharge</b>	<b>BATRIC™ GEL/CELL</b> batteries may be stored for up to 6 months @ 77°F (25°C) and then a freshening charge is required. For higher temperatures the time intervals will be shorter.
<b>Accessories</b>	Inter unit connectors, racks and cabinet systems are available
<b>Terminal</b>	Threaded Copper alloy insert Terminal to accept 1/4-20 UNC Bolt
<b>Terminal Hardware Initial Torque</b>	110 in. - lbs. (12.4 n - m)
<b>Terminal Hardware Annual Retorque</b>	32 in. - lbs. (3.48 n - m)

### Constant Power Discharge Ratings – Watts Per Cell @ 77°F (25°C) Operating Time to End Point Voltage (In hours)

End Point Volts/Cell	5	10	15	20	30	40	45	50	60	90
1.75	510	375	305	260	200	163	150	138	120	84
1.70	540	400	320	267	205	168	155	141	121	85
1.67	565	420	330	275	208	170	157	143	123	87
1.65	570	424	333	277	209	171	158	144	124	88
1.60	590	435	345	285	212	173	160	146	125	89

### Constant Current Discharge Ratings – Amperes @ 77°F (25°C) to 1.75 Volts per Cell

Amperes	5	10	15	20	25	30	35	40	45	50
Run Time (minutes)	1118	524	331	237	182	146	121	102	88	78

### Constant Current Discharge Ratings – Amperes @ 77°F (25°C) Operating Time to End Point Voltage (In hours)

End Point Volts/Cell	.25	.50	1.00	2.00	3.00	4.00	5.00	6.00	7.00	8.00	10.00	12.00	20.00	24.00	48.00	72.00	100
1.75	158	101	61.2	35.2	25.2	19.7	16.4	13.9	12.2	10.8	8.89	7.49	4.68	3.96	2.08	1.42	1.03
1.80	145	95.7	59.4	34.6	24.8	19.5	16.2	13.8	12.0	10.7	8.78	7.40	4.62	3.90	2.04	1.39	1.02
1.85	127	87.5	56.0	33.2	24.0	18.9	15.7	13.3	11.7	10.4	8.51	7.17	4.46	3.77	1.97	1.34	0.98
1.90	107	75.6	50.0	30.5	22.2	17.6	14.6	12.5	10.9	9.71	7.96	6.70	4.16	3.51	1.82	1.23	0.90

**Note:** Batteries to be mounted with 0.5 in. (1.25 cm) spacing minimum and free air ventilation. Specifications subject to change without notification.